

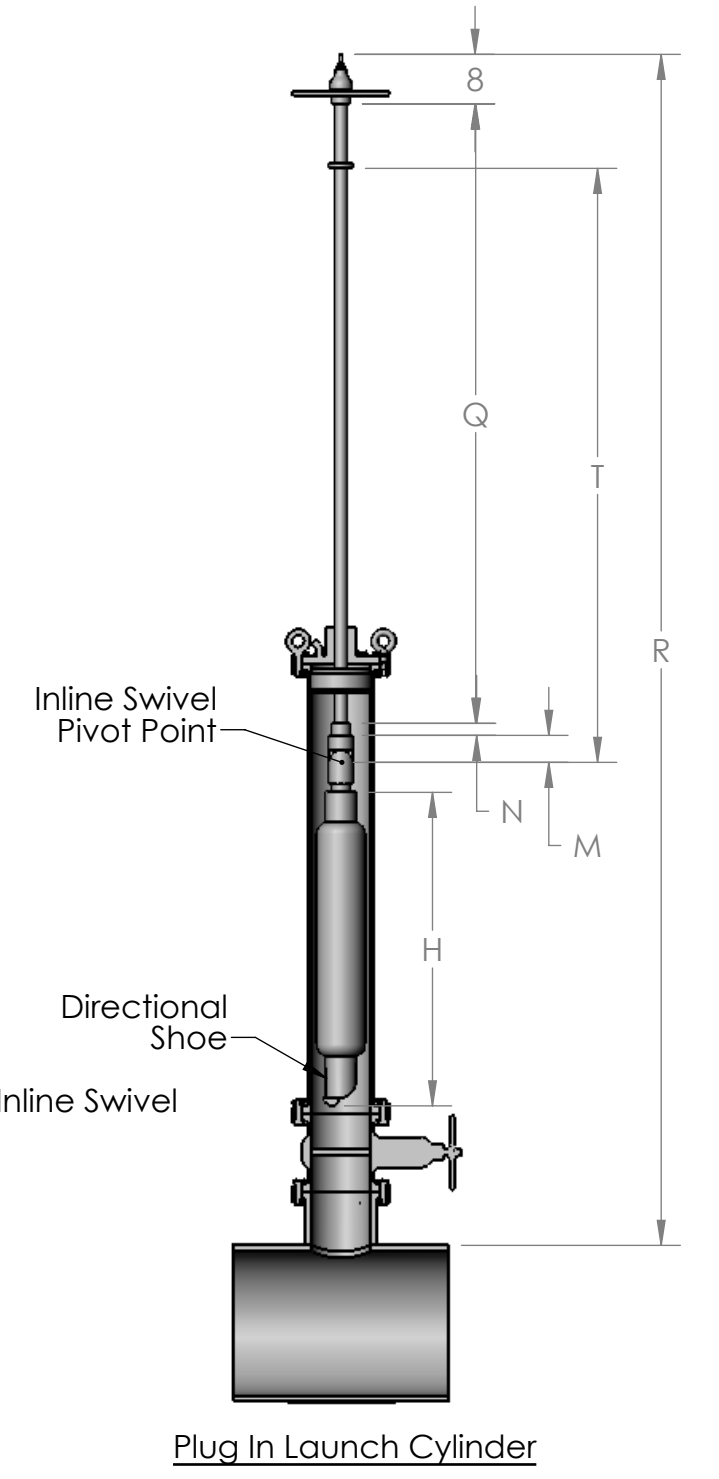
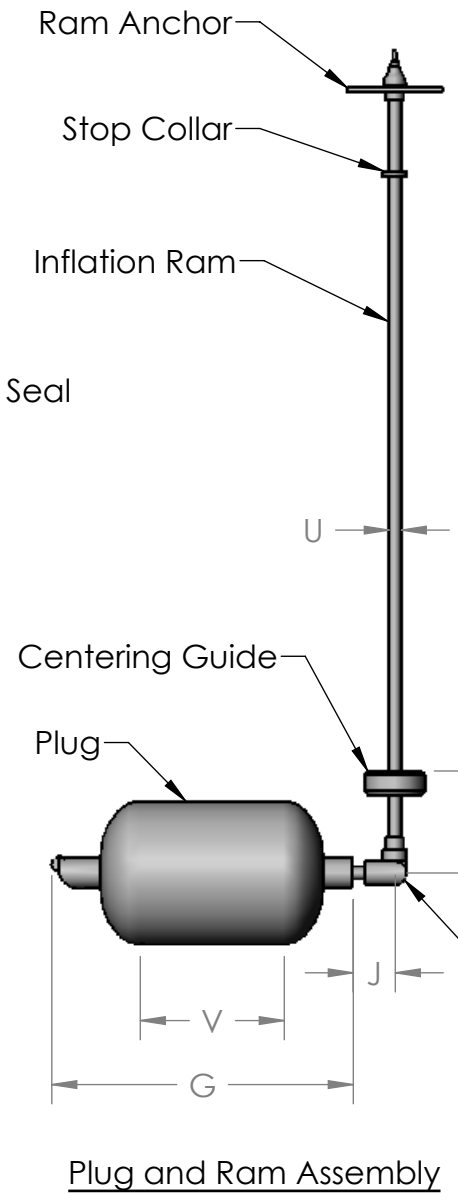
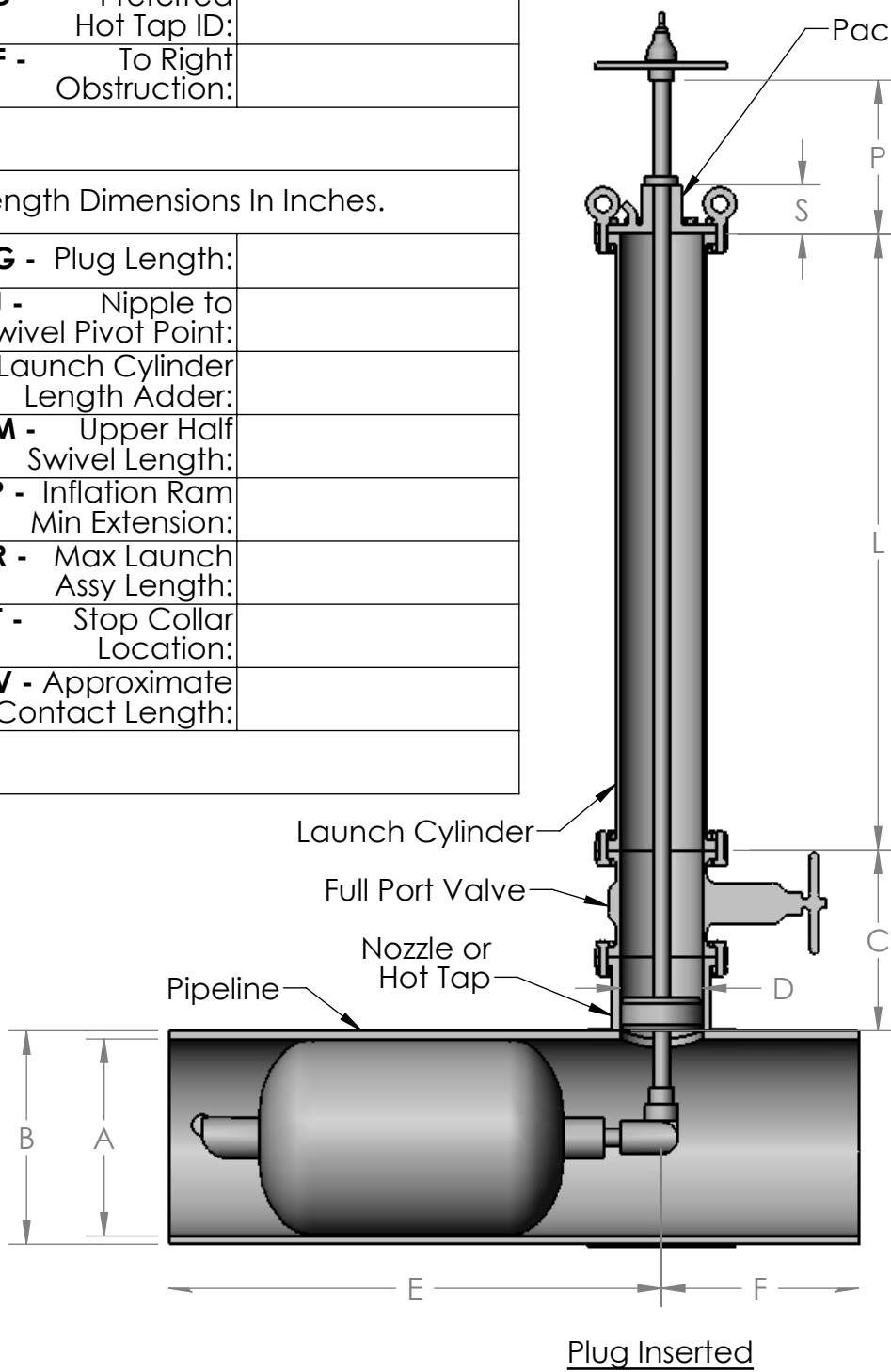
128-Series Multi-Flex™ Plug Data Sheet

Table 1 - Customer Information. Please Indicate Units Used.

Customer:			
Location:		Date:	
Dim A - Pipeline ID:		Dim B - Pipeline OD:	
Pipeline Class, Schedule, Material:		Pipeline Pressure:	
Pipeline Fluid:		Pipeline Temperature:	
Dim C - Valve Height:		Dim D - Preferred Hot Tap ID:	
Dim E - To Left Obstruction:		Dim F - To Right Obstruction:	
How long will plug be in place?			

Table 2 - Petersen Specifications. All Length Dimensions In Inches.

Plug Pressure (psig):	Dim G - Plug Length:
Dim H - Deflated Plug Length:	Dim J - Nipple to Swivel Pivot Point:
Dim K - Swivel Pivot Pt. to Centering Guide:	Launch Cylinder Length Adder:
Dim L - Launch Cylinder Length:	Dim M - Upper Half Swivel Length:
Dim N - Inflation Ram End Length:	Dim P - Inflation Ram Min Extension:
Dim Q - Inflation Ram Length:	Dim R - Max Launch Assy Length:
Dim S - Packing Seal Height:	Dim T - Stop Collar Location:
Dim U - Inflation Ram Dia:	Dim V - Approximate Contact Length:
Required Hot Tap ID:	



DO NOT SCALE DRAWING
 UNLESS OTHERWISE SPECIFIED:
 DIMENSIONS ARE IN INCHES
 TOLERANCES:
 ANGULAR: ±.5°
 X.X ±.02
 X.XX ±.01
 X.XXX ±.005

PROPRIETARY AND CONFIDENTIAL
 THE INFORMATION CONTAINED IN THIS DRAWING IS THE SOLE PROPERTY OF PETERSEN PRODUCTS CO. LLC. ANY REPRODUCTION IN PART OR AS A WHOLE WITHOUT THE WRITTEN PERMISSION OF PETERSEN PRODUCTS CO. LLC. IS PROHIBITED.

NAME	DATE
DRAWN	1/31/08
ENG APPR.	
MFG APPR.	

PETERSEN PRODUCTS CO. LLC		
MATERIAL:		
FINISH:		
TITLE: 128-SERIES MULTI-FLEX™ PLUG DATA SHEET		
SIZE B	DWG. NO.	REV 0
SCALE: 1:22		SHEET 1 OF 1