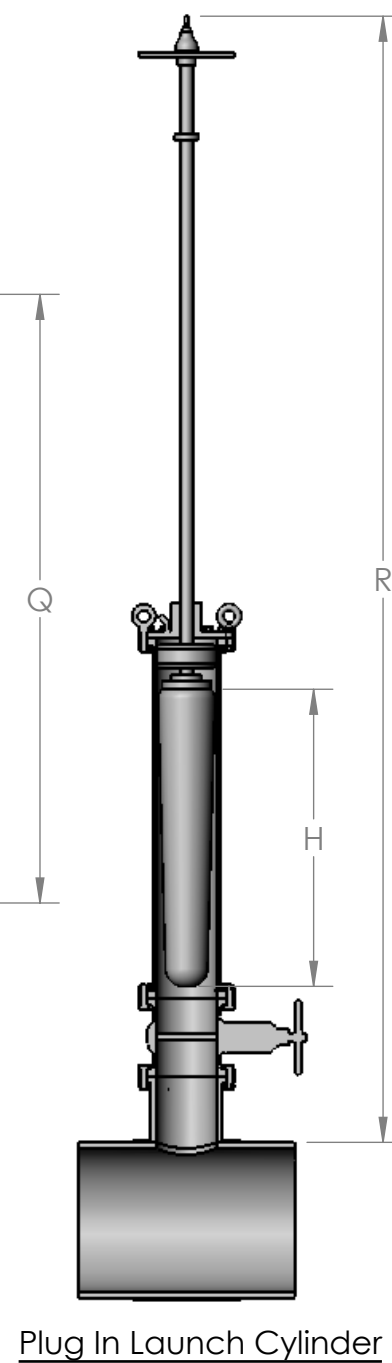
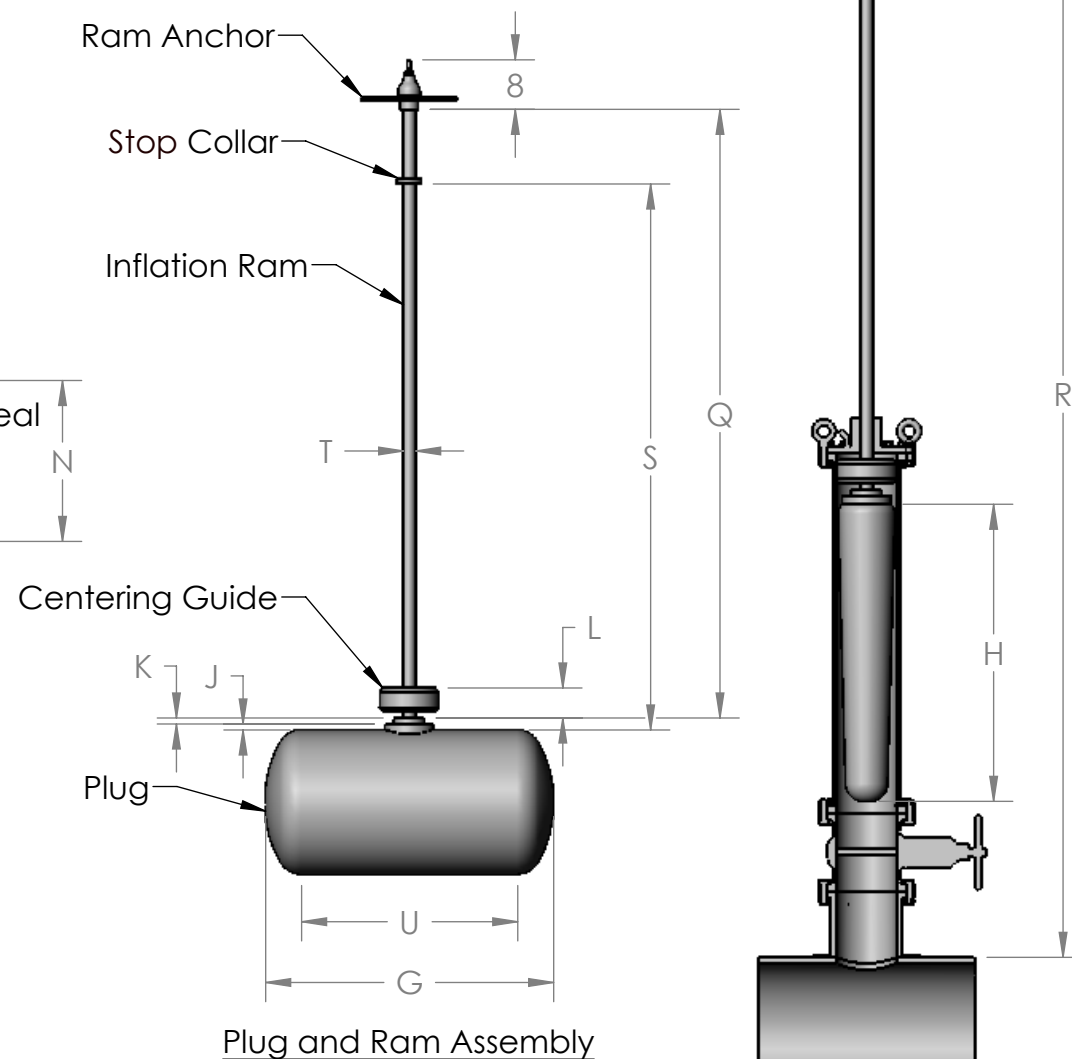
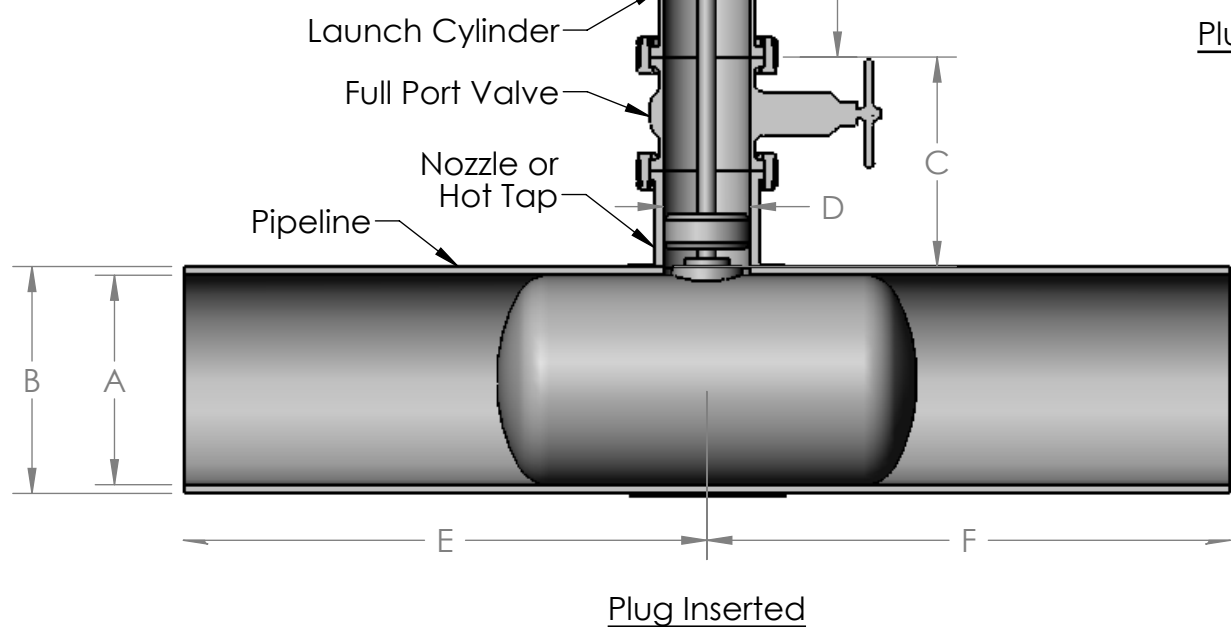


129-Series Side Inflation Multi-Flex™ Line Stop Plug Data Sheet
Table 1 - Customer Information. Please Indicate Units Used.

Customer:			
Location:		Date:	
Dim A - Pipeline ID:		Dim B - Pipeline OD:	
Pipeline Class, Schedule, Material:		Pipeline Pressure:	
Pipeline Fluid:		Pipeline Temperature:	
Dim C - Valve Height:		Dim D - Preferred Hot Tap ID:	
Dim E - To Left Obstruction:		Dim F - To Right Obstruction:	
How long will plug be in place?			

Table 2 - Petersen Specifications. All Length Dimensions In Inches.

Plug Pressure:		Dim G - Plug Length:	
Dim H - Deflated Plug Length:		Dim J - Flange Thickness:	
Dim K - Customer Flange Thickness:		Dim L - Centering Guide Location:	
Launch Cylinder Length Adder:		Dim M - Launch Cylinder Length:	
Dim N - Inflation Ram Min Extension:		Dim P - Packing Seal Height:	
Dim Q - Inflation Ram Length:		Dim R - Max Launch Assy Length:	
Dim S - Stop Collar Location:		Dim T - Inflation Ram Dia:	
Dim U - Approximate Contact Length:		Required Hot Tap ID:	



DO NOT SCALE DRAWING
 UNLESS OTHERWISE SPECIFIED:
 DIMENSIONS ARE IN INCHES
 TOLERANCES:
 ANGULAR: ±.5°
 X.X ±.02
 X.XX ±.01
 X.XXX ±.005

PROPRIETARY AND CONFIDENTIAL
 THE INFORMATION CONTAINED IN THIS DRAWING IS THE SOLE PROPERTY OF PETERSEN PRODUCTS CO. LLC. ANY REPRODUCTION IN PART OR AS A WHOLE WITHOUT THE WRITTEN PERMISSION OF PETERSEN PRODUCTS CO. LLC. IS PROHIBITED.

NAME	DATE
DRAWN	1/25/08
ENG APPR.	
MFG APPR.	

PETERSEN PRODUCTS CO. LLC

MATERIAL:

FINISH:

TITLE:
129-SERIES MULTI-FLEX™ LINE STOP PLUG DATA SHEET

SIZE	DWG. NO.	REV
B		0

SCALE: 1:22

SHEET 1 OF 1